

A **New** Solution Provider **for** Today's Store Management



Installing ASTRA XT gives you so much more. It's like hiring an extra IT Manager.

ASTRA XT is not an ordinary price computing scale with printer. With its enhanced networking capability, it offers the power to oversee your sales activities in every possible way. It's dream-come-true for every store manager.

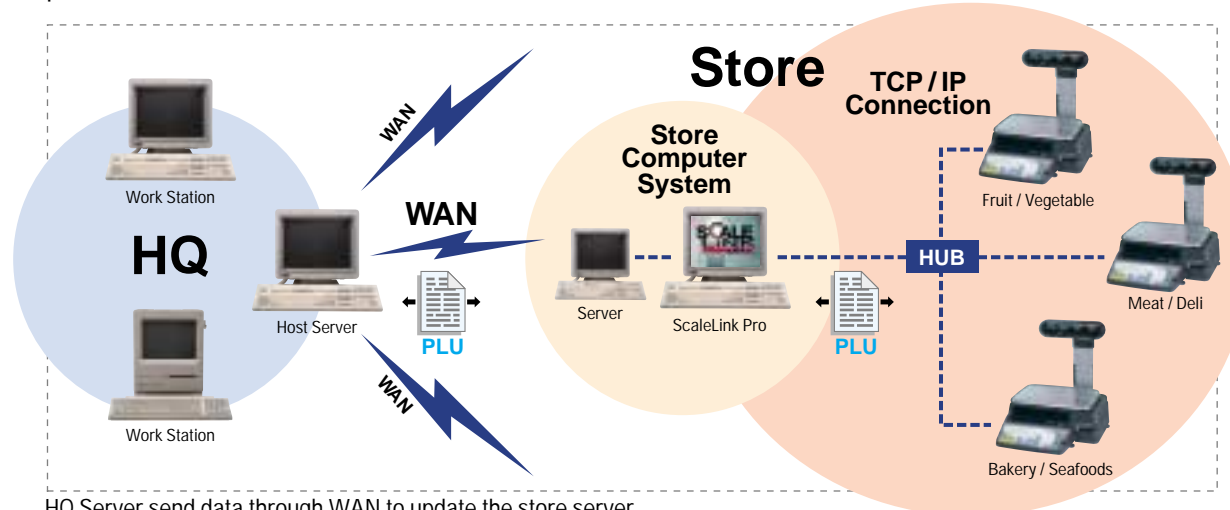


ASTRA XT-P

ASTRA XT

Full Ethernet Support for Construction of a "Real" Network

ASTRA XT allows fast data transfer for real-time PLU updates and integration with back office applications. With help from this powerful but easy-to-use software tool, all transactions and the management resources of every shop can be laid out on your desktop, allowing you to control every phase of the business.

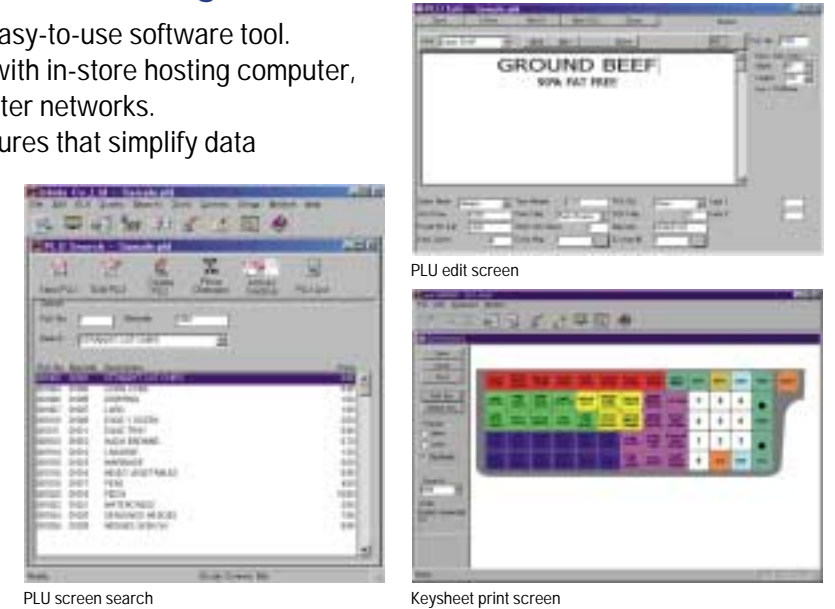


HQ Server send data through WAN to update the store server. ScaleLink Pro: A software tool for controlling scales



Simple, Dependable Data Transfer using Ishida's ScaleLink Pro

ScaleLink Pro is a powerful yet easy-to-use software tool. It allows ASTRA XT to interface with in-store hosting computer, as well as central hosting computer networks. ScaleLink Pro is loaded with features that simplify data management — for example, quick price changes for staying competitive — and product control, such as the ability to export production totals. By utilizing "Password" and "User Settings", store manager can control operators with their duties. Best of all, ScaleLink Pro offers far more advantages than similar programs on the market.



PLU screen search

Keysheet print screen



Remote Diagnostics and Program Download

Ishida's cutting-edge "i-View" displays connection status and error log reports, reflects timely scale program updates, and allows you to make scale data backups and restore them.



Scale status report screen



Scale program update screen



Versatile Label Formatting

Ishida Label Format Tool "i-Label" provides easy label formatting for two kinds of logos, field titles and barcode selection — up to 175 mm high.



i-Label assures the management and staff of easily-made labels.



Design a new label from scratch

i-Label edit screen



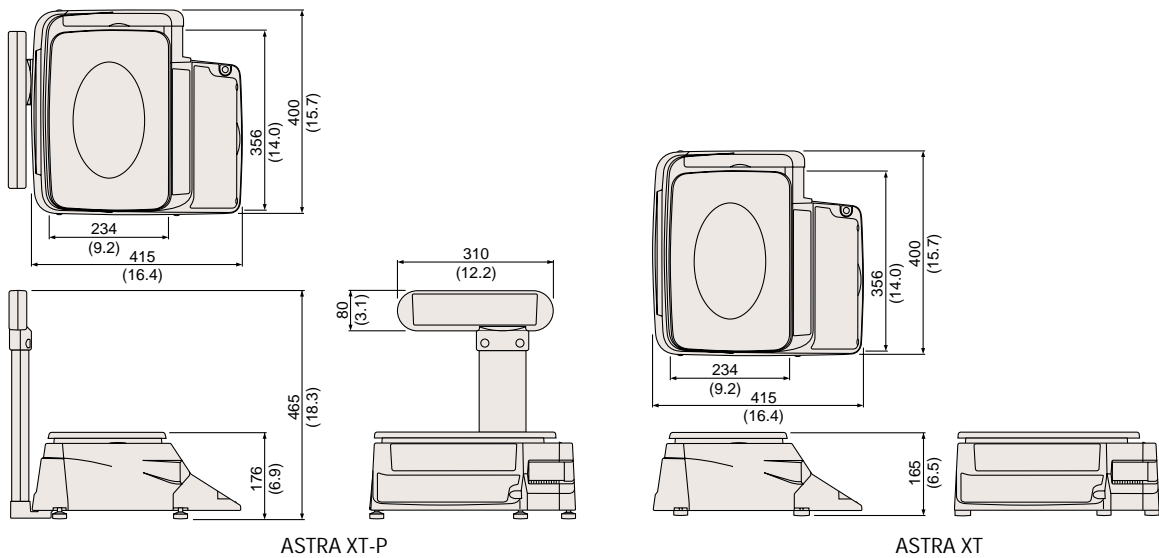
Applications

- Supermarket
- Bakery
- C-Store
- Deli
- Seafood shop
- Specialty store
- Candy shop

Specifications

| | |
|---------------------------|--|
| Capacity | 15 kg / 6 kg (Multi Interval) |
| Display | (Type 1) Tare: 4 digits, Weight: 5 digits, Unit Price: 5 digits, Total Price: 6 digits (Type 2) Weight: 5 digits, Unit Price: 8 digits, Total Price: 8 digits |
| Accuracy | 1 / 3000 |
| Minimum Graduations | 0.005 kg / 0.002 kg |
| Label Width | 38 - 64 mm |
| Label Printing Width | Up to 60 mm |
| Label Length | 30 - 175 mm |
| Label Backing Paper Width | Up to 67 mm |
| Printing Speed | 80 mm / sec. |
| Label Roll Dimension | Inside diameter: 40 mm, Outside diameter: 100 mm |
| Communications | RS232C, TCP / IP |
| Keyboard | 64 keys (88 presets using Mode key) |
| Memory Capacity | Standard 1 MB, Factory option 2 MB |
| Power Supply | AC 100 V / 120 V / 220 V / 240 V, 50 / 60 Hz |

Dimensions unit: mm (inch)



Specifications subject to change without notice



ISHIDA CO., LTD.

44 SANNO-CHO, SHOGOIN, SAKYO-KU
 KYOTO, 606-8392 JAPAN
 PHONE : 81-75-771-4141
 FACSIMILE: 81-75-751-1634
 URL: <http://www.ishidajapan.com>